



FMHT S

FAN ASSISTED, COMPACT HEATERS

Extremely compact design and high heating capacity density. A built-in power supply and control system allows a single mains voltage power supply and provide a safe disconnection of the heating element in case that fan fails.



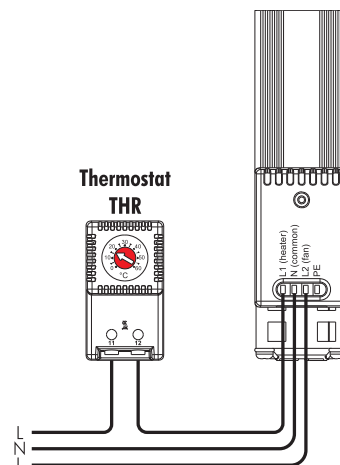
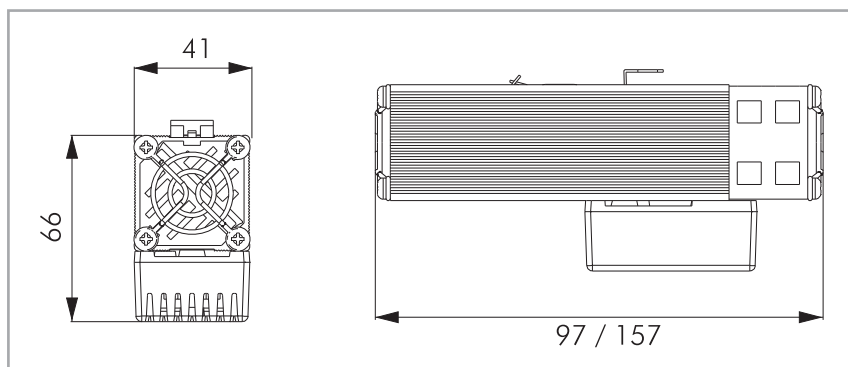
Features	Unit	FMHT100S	FMHT150S	FMHT230S	FMHT300S
Heating Capacity	W	100	150	230	300
Power supply	V/Hz	230 / 50-60			
Max. current	A	0.45	0.65	1.00	1.30
Heating element type	-	resistor			
Radiator	-	Extruded aluminium profile, anodized			
Axial fan	-	Ball bearing, service life 50 000 hrs at 25°C (77°F)			
		air flow rate 11 m ³ /h, free flow			air flow rate 33 m ³ /h, free flow
Electrical connection	-	4 spring terminal for stranded or rigid wire*			
Protection Class	-	Class I			
Protection degree EN60529	-	IP20			
Operating temperature	°C (°F)	-20/+70 (-4/+158)			
Storage temperature	°C (°F)	-45/+80 (-49/+176)			
Mounting	-	Clip for mounting on DIN rail 35mm EN50022			
Installation position	-	Best efficiency in vertical position			
Dimensions HxWxD	mm	97x41x66	132x41x66	142x41x66	157x41x66
Weight (with packaging)	kg	0.20 (0.21)	0.26 (0.28)	0.28 (0.30)	0.40 (0.42)
Conformity/Certifications	-	CE			

*0.5-2.5 mm² solid wire

0.5-1.5 mm² fine stranded wire with ferrule

Accessories

Thermostat 0-60°C, NC contact	THR2
Double thermostat NC 0-60°C / NO 0-60°C	THR22
Hygrothermostat 0-60°C / 20-90%Rh	ETUH22
Hygrostat 10-90%Rh	MUH



Specifications, values and drawings are subject to change without notice.